



PROJECT		REF		REV	ITEM CODE	
LOCATION		DATE			PAGE	

## SANITARY WARE SPECIFICATION SHEET

<p><b>Item Descriptions</b></p> <p><b>Dimensions</b></p> <p><b>Model</b></p> <p><b>Finish</b></p> <p><b>Brand</b></p> <p><b>Source</b></p> <p><b>Contact Tel/Fax</b></p> <p><b>E-mail</b></p> <p><b>Website</b></p>	<p>Inax (Japan) "NAVISH" Chrome plated single lever touchless sink mixer with C-spout and pull-out dual spray ; in DC Supply; touchless or manual operation</p> <p>L239 x W37 x H297 mm</p> <p>SF-NB454SX-WR1</p> <p>Chrome Plated</p> <p>Inax (Japan)</p> <p>Acme Sanitary Ware Co. Ltd Mr. Eric Wong/ Mr. Don Yuen (852) 2388-7171 / (852) 2710-8012 acme@acmesanitary.com.hk www.acmesanitary.com.hk</p>	<p>Illustration/ Drawing</p> 
<p><b>Model</b></p> <p><b>Nominal diameter</b></p> <p><b>Mounting hole diameter</b></p> <p><b>Extended hose length</b></p> <p><b>Water spout length</b></p> <p><b>Water spout height</b></p> <p><b>Batteries</b></p> <p><b>Battery life</b></p> <p><b>Water pressure</b></p> <p><b>Optimum operation temperature</b></p> <p><b>Stop timer</b></p> <p><b>Blackout measures (or when out-of-battery)</b></p>	<p>Kitchen Touchless Faucet SF-NB454SX-WR1</p> <p>13mm</p> <p>∅37±2</p> <p>Approx 35cm</p> <p>239mm</p> <p>145mm</p> <p>2x alkaline D batteries (DC 3V)</p> <p>Approx 1 year* (avg temp 20°C, daily use 100 times/day)</p> <p>0.06MPa (operation) - 0.75MPa (idle)</p> <p>-20°C--40°C</p> <p>Water stops automatically after approx 10 mins</p> <p>Operable via manual lever</p>	  <p>REGULAR</p> <p>EXTRA-FINE</p> <p>LIXIL</p> <p>(297)</p> <p>145</p> <p>239</p> <p>(95)</p> <p>(299)</p> <p>(300)</p> <p>软管塞</p> <p>软管長度 L=350</p> <p>檯面厚度6~30</p> <p>190mm以內 (点檢口上端)</p> <p>(長度 441)</p> <p>点檢口</p> <p>(長度 441)</p> <p>B</p> <p>電綫長度 L=1800</p> <p>A</p> <p>G 1/2</p> <p>A尺寸:200±10 B尺寸:400±10 檯面開孔直徑:∅37±2</p>

\* All information of the above is for the reference only. No prior notice is made if any changes.



**Acme Sanitary Ware Co. Ltd.**

1/F, Acme Building, 22-28 Nanking Street, Kowloon, Hong Kong

Tel: 2388 7171 Fax: 2710 8012

Email: acme@acmesanitary.com.hk

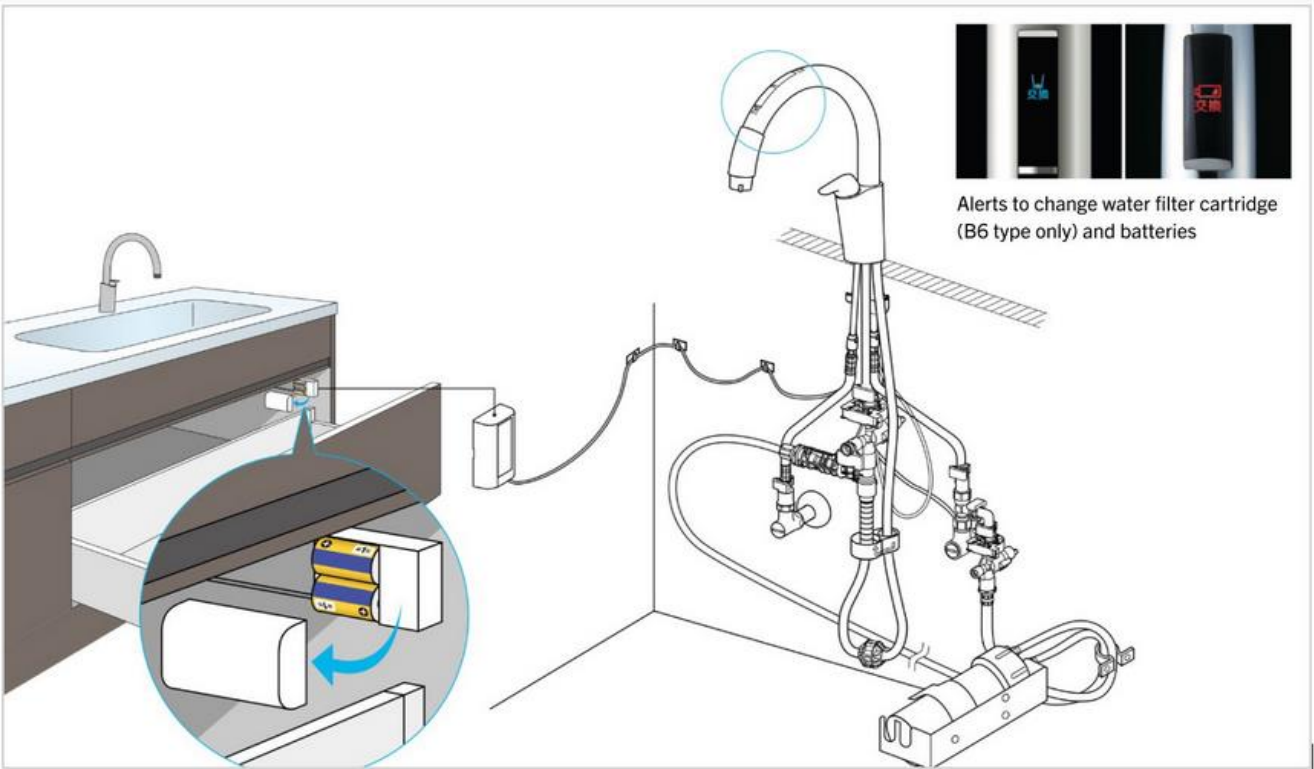
Website: www.acmesanitary.com.hk

Since 1949



For Precious Life

## SANITARY WARE SPECIFICATION SHEET



**No electrical work required to use**

**BATTERY OPERATED**

With 2 D-sized batteries\* included, you can skip electrical work during installation and use the faucet right away.